









Inkjet printer TxF150-75/TxF300-75

Requests for Care and Maintenance

This machine is a precision machine equipped with extremely fine mechanisms. Especially, the nozzle surface of the heads from which the ink is discharged is affected even by a slightest attachment of dust or paper powder and the proper printing results could not be obtained. With a view to using this machine in a better condition, we would like to recommend performing the following care and maintenance on daily basis.

Maintenance Precautions

	<ul style="list-style-type: none"> This machine includes parts that must be replaced periodically. We therefore recommend taking out a maintenance contract. Carry out maintenance periodically and replace consumable items to prevent quality defects and accidents.
	<ul style="list-style-type: none"> Clean periodically. Debris and dust will accumulate on electrical components when the machine is used for extended periods. There is a risk of failure, electric shock, or fire due to current leakage. Do not clean by blowing—e.g., avoid using air blowers. Doing so may lead to failure, electric shock, or fire involving the machine if airborne debris or dust gets inside electrical components. Wipe using a soft cloth soaked in diluted neutral detergent and thoroughly wrung out. A vacuum cleaner may also be used for cleaning.
	<ul style="list-style-type: none"> Do not allow liquids to get inside the machine. Otherwise there is a risk of failure, electric shock, or fire.
	<ul style="list-style-type: none"> For heavy soiling, wipe using a soft cloth soaked in diluted neutral detergent and thoroughly wrung out.
  	<ul style="list-style-type: none"> Pay close attention to ventilation and be sure to wear safety glasses, gloves, and a mask when handling ink, maintenance liquid, waste ink, or other solutions used with the machine. Leaking ink may adhere to the skin or get into the eyes or mouth.
	<ul style="list-style-type: none"> Never touch the print head nozzle surface. Do not allow water or alcohol to come into contact with the print nozzle surface. This will increase the risk of machine failure or ejection failures (e.g., nozzle clogging or deflection). Do not use cotton swabs to clean around the head or carriage. Fibers from cotton swabs may adhere to the head nozzle surface and lead to ejection failures (e.g., nozzle clogging or deflection). Do not splash ink or maintenance liquid on the covers. Exposure to splashing ink or maintenance liquid may damage or deform the cover. Do not use benzine, thinner, or any chemical agent containing abrasives. Use of these chemicals may result in damage to or deformation of parts. Do not move the carriage by hand. To move the carriage, use the carriage out function on the menu.

Performing Maintenance

Maintenance should be performed regularly or based on how often the machine is used, in order to maintain printing accuracy and ensure long-term use.

This is a precision machine with extremely delicate mechanisms. In particular, the head nozzle surface from which ink is discharged may be affected by even the slightest amount of adhering dust or paper dust, which may prevent achieving optimal printing results.



To keep the machine operating in good condition, we recommend the following routine maintenance.

Maintenance items and timing

Timing	Item
Daily after work	Cleaning the wiper and cap
	Cleaning the wiper cleaner
	Cleaning the wiper ink guard
	Cleaning under the carriage
	Cleaning media sensors
	Cleaning media holders
Weekly after work	Cleaning jam sensors
	Cleaning the platen
	Cleaning exterior surfaces
	Waste Ink Tank
Weekly before work	Cleaning the waste ink draining channel
When not used for more than a week	Ink maintenance
When soiled, replace or clean	Preparing the machine if it will not be used over extended periods
	Replacing exhaust box filters
	Replacing the CP pad set
	Replacing pinch rollers

Tools required for maintenance

To order replacement consumable items, contact your local dealer or our service office. For more information on consumable items, refer to our website (<https://mimaki.com/supply/inkjet.html>).

	<ul style="list-style-type: none"> Avoid storing this product in locations accessible to children.
	<ul style="list-style-type: none"> Use the maintenance liquid designed for the machine.

Routine Maintenance

Ink maintenance

Shake the ink regularly before use. Failure to shake the ink regularly may result in ink sedimentation and reduced print quality. How often to shake the ink varies depending on the type and color.

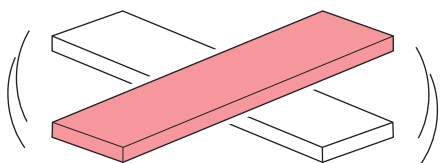
Ink should be shaken as often as described below. For instructions on shaking ink, see "Inserting Ink Cartridges."

White ink:40 times

- After the machine has been on for 24 hours
- If "Shake white cartridge" is displayed as a warning message after the machine is turned on

Other colors:20 times

- Once a week, always before work



- White ink should be shaken 100 times after more than 3 days.



- Do not remove the ink cartridge when the display shows "CIRCULATION" or the LED is flashing.

Cleaning the wiper and cap

Using a dirty wiper with dried ink or dust on it may cause the wiper to rub against the nozzle surface or cause ink suction problems that lead to ejection failure (such as nozzle clogging or deflection).



- **Wiper:** Wipes off ink adhering to the print head nozzle surface.
- **Cap:** Prevents the print head nozzle surface from drying out.



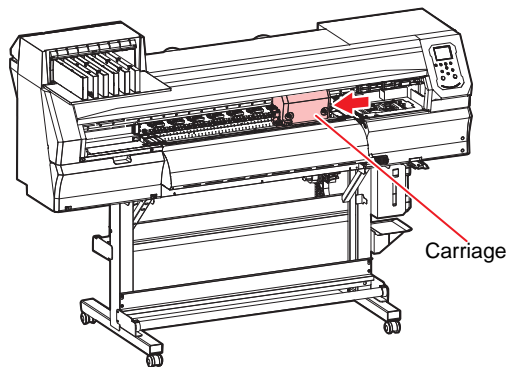
- Replace wipers with a new one if they become deformed, or if adhering ink cannot be wiped away. Also replace the wiper if a warning is displayed (☞ P.4-16 「Replacing wipers」).
- Be careful to avoid leaving fragments from the cleaning stick behind when cleaning. These fragments will increase the risk of ejection failures (e.g., nozzle clogging or deflection).

1 With the screen in local mode, select [MENU] > [MAINTENANCE], and then press the [ENTER] key.

- The Maintenance menu is displayed.

2 Select [STATION MAINT.] > [CARRIAGE OUT] > [STATION MAINT.], and then press the [ENTER] key.

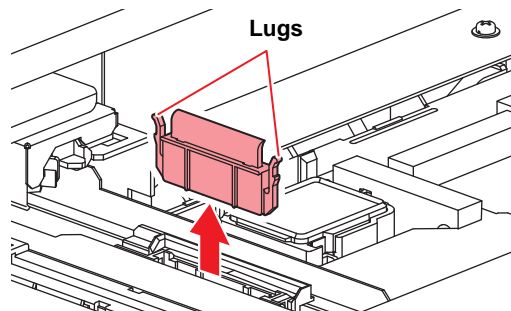
- The carriage moves over the platen.



3

Remove the wiper.

- Pull out the wiper by holding the lugs at both ends.



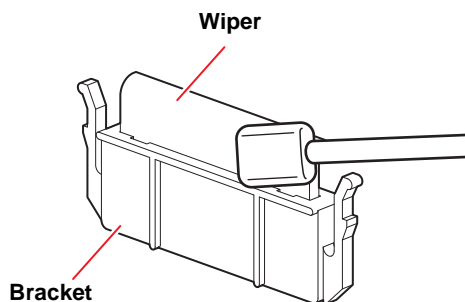
4

Clean the wiper and bracket.

- Wipe off any adhering ink or dust using a cleaning stick or tweezers moistened with maintenance liquid. Wipe off the maintenance liquid. Make sure none remains.



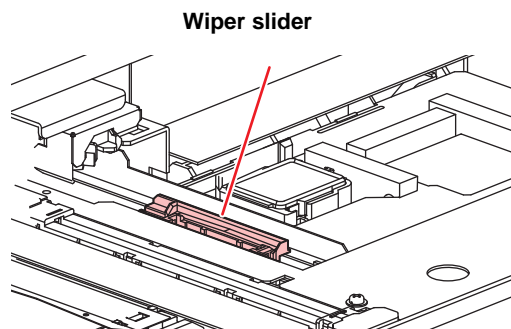
- When using tweezers, be careful not to damage the wiper with them.



5

Clean the wiper slider.

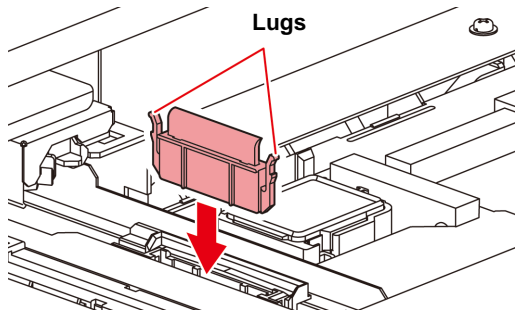
- Use a cleaning stick moistened with maintenance liquid to wipe off any adhering ink or dust. Wipe off the maintenance liquid. Make sure none remains.



6

Return the wiper to its original position.

- Holding the wiper by the lugs at both ends, push it in.



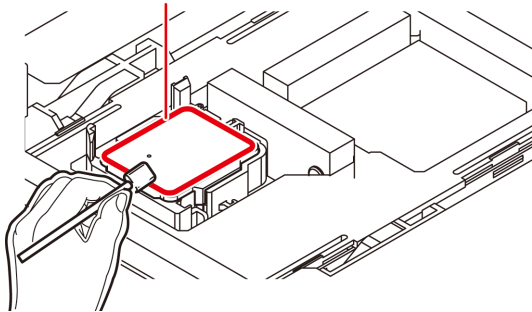
7 Clean the cap rubber.

- Wipe off any adhering ink or dust using a cleaning stick or tweezers moistened with maintenance liquid. Wipe off the maintenance liquid. Make sure none remains.

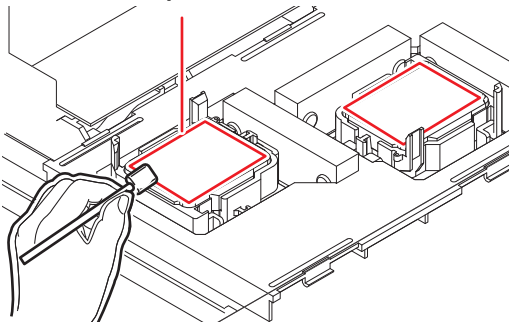


- When using tweezers, be careful not to damage the wiper with them.
- If ink dry matter adheres to the cap rubber, it may cause cleaning failure.

[TxF150-75] Cap rubber



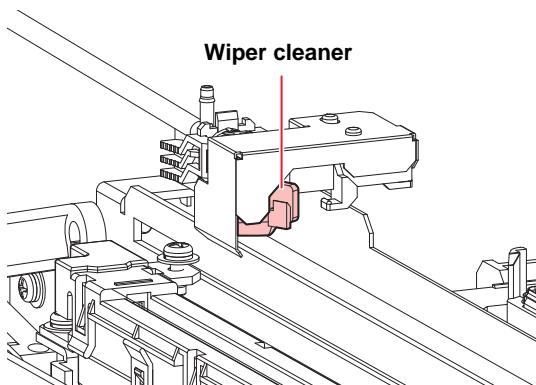
[TxF300-75] Cap rubber



8 Press the [ENTER] key after cleaning.

Cleaning the wiper cleaner

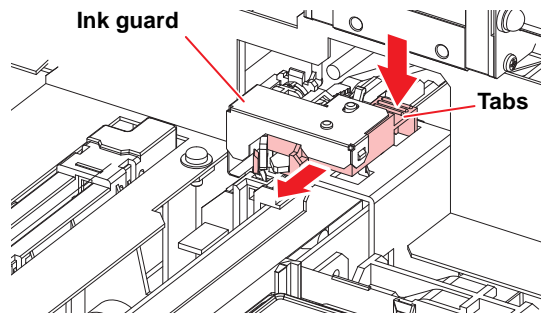
Wipe off any adhering ink or dust using a cleaning stick or tweezers moistened with maintenance liquid.



Remove the lower part of the ink guard when cleaning the wiper cleaner. Press the tabs and pull forward to remove it.

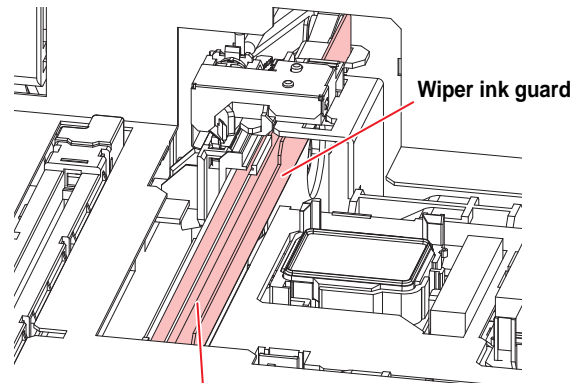


- Be careful not to pull out the tube.



Cleaning the wiper ink guard

Wipe off any adhering ink or dust using a cleaning stick or tweezers moistened with maintenance liquid.



Use a cleaning stick or tweezers moistened with maintenance liquid to wipe off ink and dust in the red area of the illustration.

Cleaning under the carriage

The underside of the carriage becomes coated with ink wiped off by the wiper. Continuing to use the dirty carriage underside will rub dried ink and attached dust on to the media, resulting in contaminated prints.

The print head uses an extremely delicate mechanism. Take great care when handling it.



- Be careful to avoid leaving fragments from the cleaning stick behind when cleaning. These fragments will increase the risk of ejection failures (e.g., nozzle clogging or deflection).



- Never rub head nozzles.

1

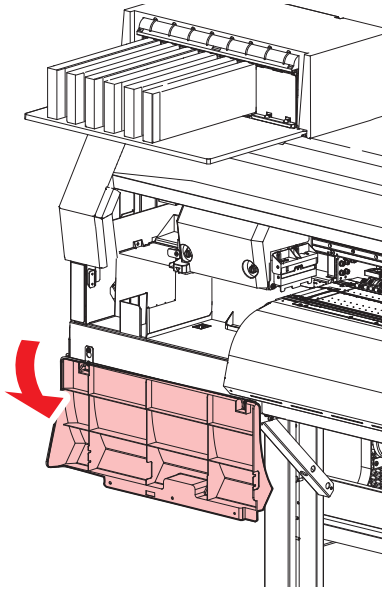
With the screen in local mode, select [MENU] > [MAINTENANCE], and then press the [ENTER] key.

- The Maintenance menu is displayed.

2

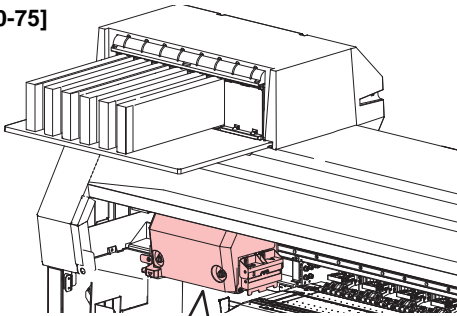
Select [STATION MAINT.] > [CARRIAGE OUT] > [HEAD MAINT.], and then press the [ENTER] key.

- The carriage moves to the maintenance space.

3**Open the maintenance cover.****4****Wipe off any ink adhering to the sides of the head and under the carriage.**

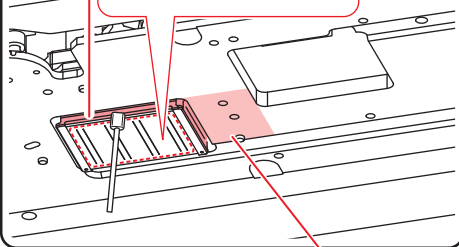
- Wipe off any ink, dust, ink dry matter and adhering using a cleaning stick moistened with maintenance liquid. Wipe off the maintenance liquid to make sure none remains.

[TxF150-75]



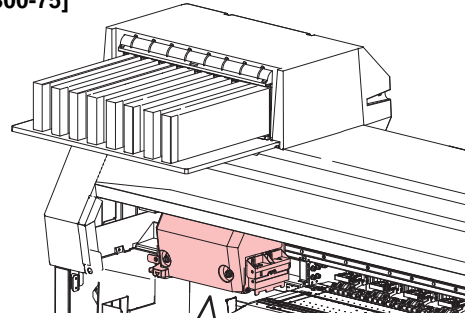
Clean the end side of head and the guard plate edge (the areas indicated in red) using a cleaning stick.

Never touch the nozzle surface!



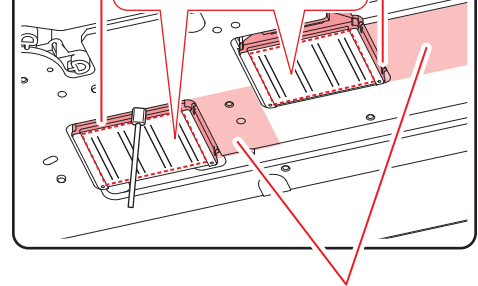
Clean with a cleaning stick, tweezers, or cloth.

[TxF300-75]

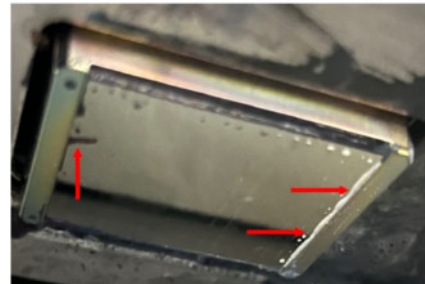


Clean the end side of head and the guard plate edge (the areas indicated in red) using a cleaning stick.

Never touch the nozzle surface!



Clean with a cleaning stick, tweezers, or cloth.



Wipe off the collected ink and other substances on the edges of the guard plate. (Arrow in red)



- Never rub the nozzles.

5**Press the [ENTER] key after cleaning.****6****Close the maintenance cover and press the [ENTER] key.**

- After initialization, the machine returns to local mode.

NCU Cleaning

The NCU uses a sensor to monitor the ink droplets ejected from the print head nozzles. Continuing to use the dirty NCU may prevent the nozzle check function from operating correctly.



- Be careful to avoid leaving fragments from the cleaning stick behind when cleaning. These fragments will increase the risk of ejection failures (e.g., nozzle clogging or deflection).

1 On the LOCAL mode screen, select [MENU] > [Maintenance], then press the [ENTER] key.

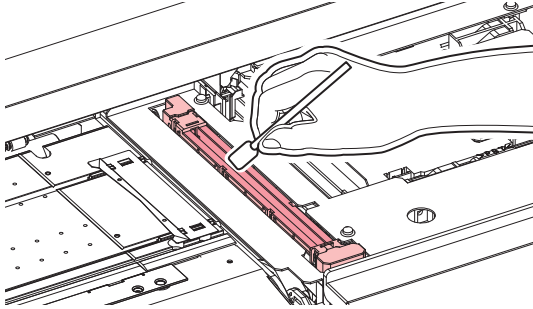
- The Maintenance menu is displayed.

2 Select [Station Maint.] > [Carriage Out] > [Station Maint.], then press the [ENTER] key.

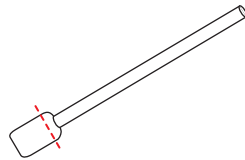
- The carriage moves over the platen.

3 Clean the NCU.

- Wipe off any ink and dust adhering using a cleaning stick moistened with maintenance liquid. Wipe off the maintenance liquid. Make sure none remains.



- Insert the cleaning stick as far as the line shown in the illustration.



4 Press the [ENTER] key after cleaning.

Cleaning the waste ink draining channel

To prevent clogging of ink due to ink coagulation in the waste ink draining channel, clean the draining channel regularly (about once a week).

1 With the screen in local mode, select [MENU] > [MAINTENANCE], and then press the [ENTER] key.

- The Maintenance menu is displayed.

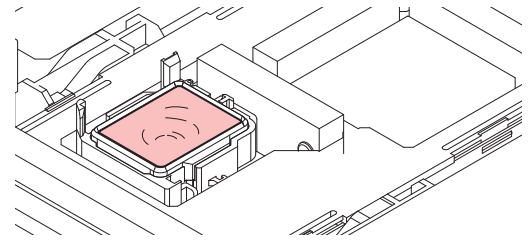
2 Select [STATION MAINT.] > [PUMP TUBE CLEANING], and then press the [ENTER] key.

- The carriage moves over the platen.

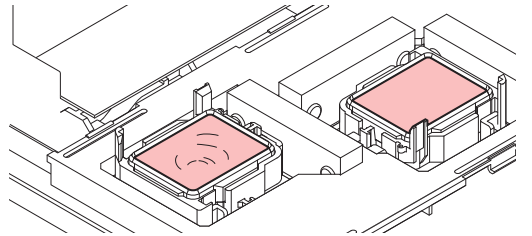
3 Press the [ENTER] key.

- The cap is filled with maintenance liquid (if the maintenance liquid cartridge is usable).
- Check whether the cap is filled with maintenance liquid.
- Pressing the [FUNC2] key enables additional filling with maintenance liquid.

[TxF150-75]



[TxF300-75]



- If the maintenance liquid cartridge is usable, suck maintenance liquid into a dropper and fill up the cap with it. Fill up the cap with maintenance liquid on the verge of overflow from the cap.

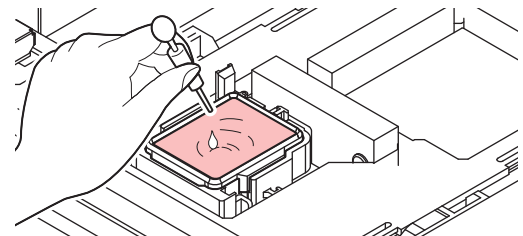


Illustration:TxF150-75

4 Press the [ENTER] key.

- Pump tube (ink discharge channel below the cap) washing starts.

Cleaning head nozzles

1 With the screen in local mode, select [MENU] > [MAINTENANCE], and then press the [ENTER] key.

- The Maintenance menu is displayed.

2 Select [STATION MAINT.] > [NOZZLE WASH], and then press the [ENTER] key.

- The carriage moves over the platen.

3 Clean the wiper and bracket, and then press [ENTER] key.

- P.1-3 「Cleaning the wiper and cap」

4 Clean the cap rubber and press the [ENTER] key.

- P.1-3 「Cleaning the wiper and cap」
- At this time, the channel is cleaned automatically.

5 Press the [ENTER] key.

- The carriage moves over the platen, and the cap is filled with maintenance liquid (if the maintenance liquid cartridge is usable).
- Check whether the cap is filled with maintenance liquid.

- Pressing the [FUNC2] key enables additional filling with maintenance liquid.

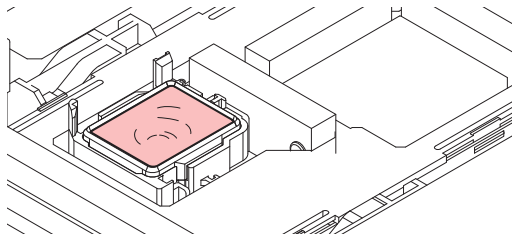


Illustration:TxF150-75



- If the maintenance liquid cartridge is usable, suck maintenance liquid into a dropper and fill up the cap with it. Fill up the cap with maintenance liquid on the verge of overflow from the cap.

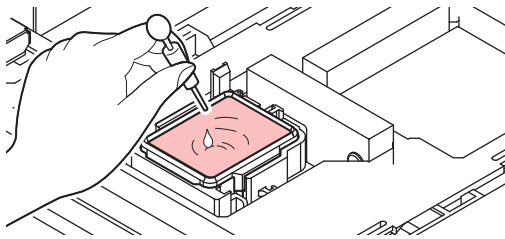


Illustration:TxF150-75

6 Set the leaving time, and then press the [ENTER] key.

- **Setting value:** 1–99 (in 1-minute increments)
- The nozzles are washed. The machine draws maintenance liquid from the cap.
- Cleaning is performed automatically after nozzle washing.



- If the nozzle clogging is not corrected even after you use this function several times, contact your dealer, or sales office (service call).

Preparing the machine if it will not be used over extended periods

Before leaving the machine idle for a week or more, use the cleaning function designed to be used before storage, which cleans head nozzles and the waste ink draining channel.

When leaving the machine for more than 2 days (regardless of the ambient temperature), be sure to clean the "cap edge", "wiper", and " carriage bottom surface" before use.



- If the "Check waste ink" warning message is displayed, check the waste ink tank. (P.4-19 「In case of messages to check waste ink」)

Tools required for cleaning

Check whether [Near End] or [Ink End] is displayed.

- Maintenance liquid and ink is aspirated during the washing operation. Washing is not possible if an error occurs during this process. Replace with new ink.

1 With the screen in local mode, select [MENU] > [MAINTENANCE], and then press the [ENTER] key.

- The Maintenance menu is displayed.

2 Select [STATION MAINT.] > [CUSTODY WASH], and then press the [ENTER] key.

- The carriage moves over the platen.

3 Clean the wiper and bracket, and then press [ENTER] key.

- P.1-3 「Cleaning the wiper and cap」

4 Clean the cap rubber and press the [ENTER] key.

- P.1-3 「Cleaning the wiper and cap」
- At this time, the channel is cleaned automatically.

5 Press the [ENTER] key.

- The carriage moves over the platen, and the cap is filled with maintenance liquid (if the maintenance liquid cartridge is usable).
- Check whether the cap is filled with maintenance liquid.
- Pressing the [FUNC2] key enables additional filling with maintenance liquid.

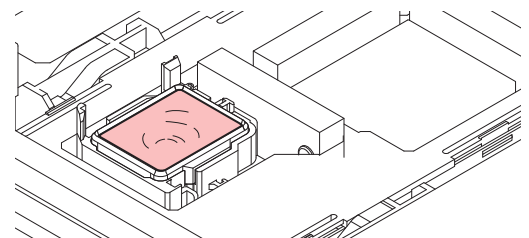


Illustration:TxF150-75



- If the maintenance liquid cartridge is usable, suck maintenance liquid into a dropper and fill up the cap with it. Fill up the cap with maintenance liquid on the verge of overflow from the cap.

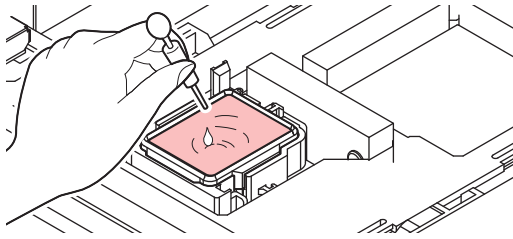


Illustration:TxF150-75

6

Set the leaving time, and then press the [ENTER] key.

- **Setting value:** 1–99 (in 1-minute increments)
- The nozzles are washed. The machine draws maintenance liquid from the cap.
- Cleaning is performed automatically after nozzle washing, after which the cap is filled with maintenance liquid.
- Check whether the cap is filled with maintenance liquid.
- Pressing the [FUNC2] key enables additional filling with maintenance liquid.

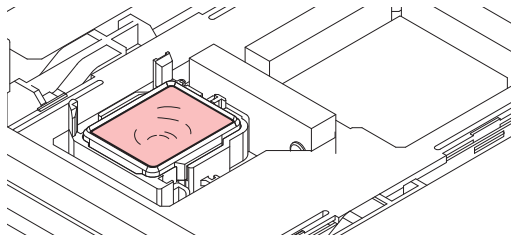


Illustration:TxF150-75



- If the maintenance liquid cartridge is usable, suck maintenance liquid into a dropper and fill up the cap with it. Fill up the cap with maintenance liquid on the verge of overflow from the cap.

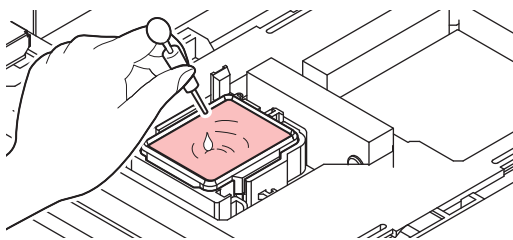


Illustration:TxF150-75

7

Press the [ENTER] key.

- Pump tube (ink discharge channel below the cap) washing starts.
- Do not turn off the main power supply. Turning off the main power supply will disable the automatic maintenance function (including nozzle clogging prevention function and ink discharge channel cleaning function). This increases the risk of ejection failures (such as nozzle clogging or deflection).
- Do not leave media loaded on the platen. This may leave irregularities or ripples in the media.



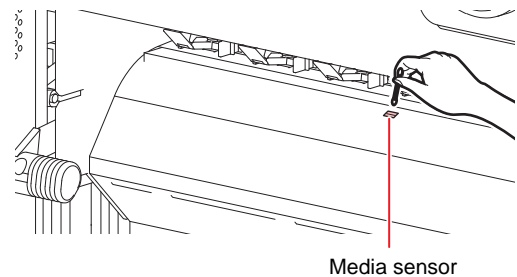
- If the "Check waste ink" warning message is displayed, check the waste ink tank. (P.4-19 「In case of messages to check waste ink」)
- When the machine is not in use, raise the clamp lever to separate the pinch rollers from the grit rollers. Leaving the pinch rollers in the lowered position for an extended period of time may cause the pinch rollers to become deformed. Deformation of the pinch rollers may prevent the media from being fed correctly.

Cleaning media sensors

Media sensors are located on the rear cover and underside of the carriage. The media cannot be detected correctly if dust or debris accumulates on the sensors. Remove any debris using cotton swabs or a soft cloth.

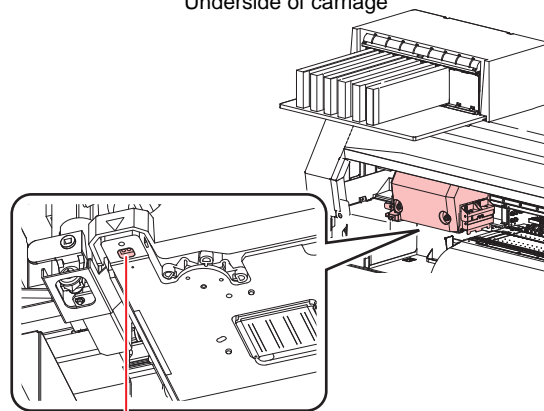
Before cleaning the sensor on the bottom of the carriage, move the carriage to the maintenance space.

Rear of machine



Media sensor

Underside of carriage



Media sensor



- Avoid touching the cutter blade near the media sensor. The sharp cutter tip poses a risk of injury.



- Never use solvents to clean the sensors.



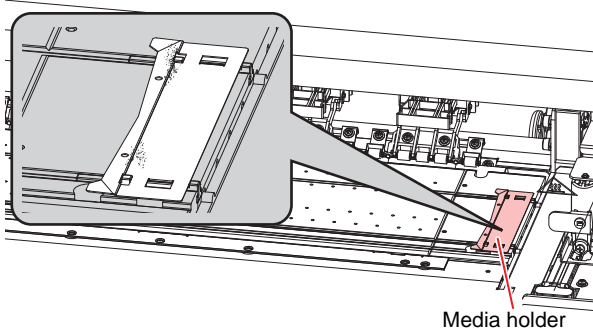
- For heavy soiling, wipe using a soft cloth soaked in diluted neutral detergent and thoroughly wrung out.

Cleaning media holders



- Turn off the main power supply and unplug the power cable before carrying out maintenance.

Continuing to use the dirty platen will prevent proper feeding of the media. It will also cause dried ink and attached dust to rub against the head nozzle surface and lead to ejection failures (e.g., nozzle clogging or deflection).



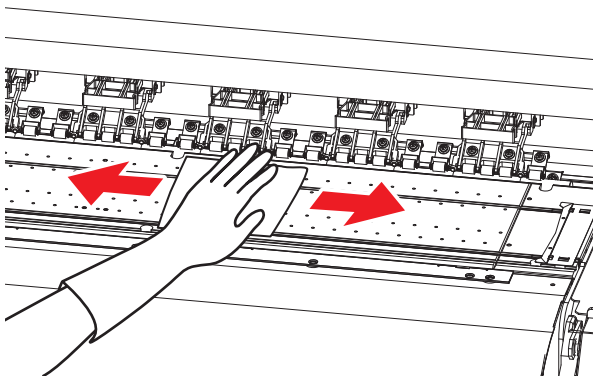
Media holder

Cleaning the platen



- Turn off the main power supply and unplug the power cable before carrying out maintenance.

Continuing to use the dirty platen will prevent proper feeding of the media. It will also cause dried ink and attached dust to rub against the head nozzle surface and lead to ejection failures (e.g., nozzle clogging or deflection).



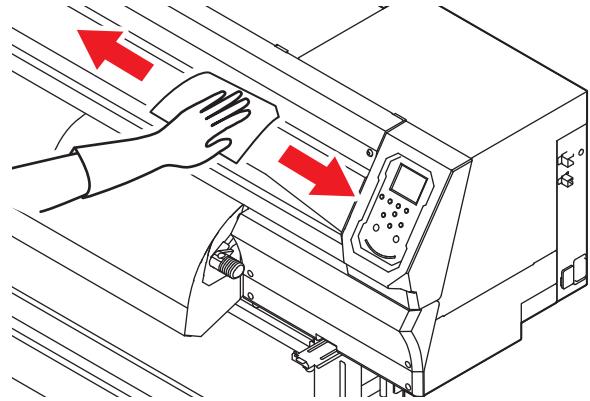
- Do not allow liquids to get inside the machine. Otherwise there is a risk of failure, electric shock, or fire.



- For heavy soiling, wipe using a soft cloth soaked in diluted neutral detergent and thoroughly wrung out.
- Wait until the platen has cooled sufficiently before cleaning it.
- Debris is more likely to accumulate in the grooves where the media holder slides and media is cut. Take care when removing any debris from there.

Cleaning exterior surfaces

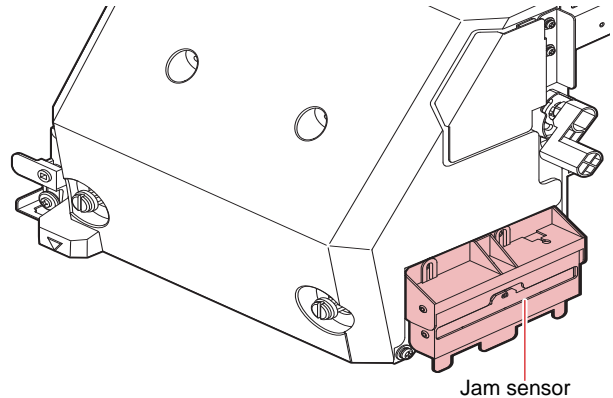
When the exterior surfaces of the machine are dirty, wipe with a soft cloth dampened with neutral detergent diluted in water and thoroughly wrung out.



- Do not allow liquids to get inside the machine. Otherwise there is a risk of failure, electric shock, or fire.

Cleaning jam sensors

The jam sensor is located on the side of the carriage. Continuing to use it when it is dirty will rub dried ink and adhering dust onto media, resulting in dirty prints.



Jam sensor

Replacing Consumables

To order replacement consumable items, contact your local dealer or our service office. For more information on consumable items, refer to our website.

<https://mimaki.com/supply/inkjet.html>

Replacing wipers

When a [Replace Wiper] warning message is displayed, the wiper must be replaced with a new one. Also at this time, wipe away ink adhering to the bottom of the slider.

Important!

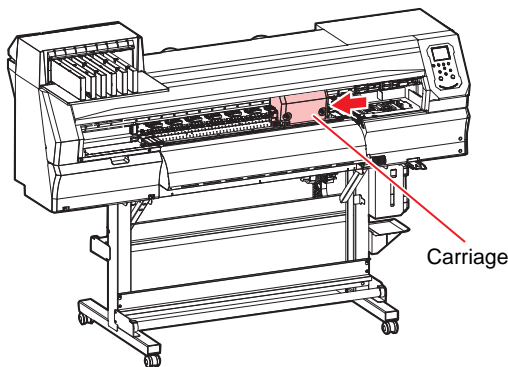
- After a wiper replacement warning appears, confirm that the top edge of the wiper film is free of damage or fluff, etc. If there is no damage or fluff at the top edge of the wiper film, it can still be used.

1 With the screen in local mode, select [MENU] > [MAINTENANCE], and then press the [ENTER] key.

- The Maintenance menu is displayed.

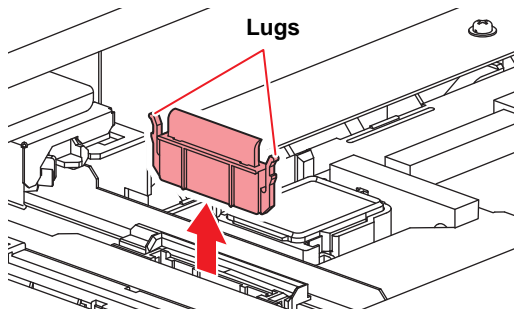
2 Select [STATION MAINT.] > [REPLACE WIPER], and then press the [ENTER] key.

- The carriage moves over the platen.



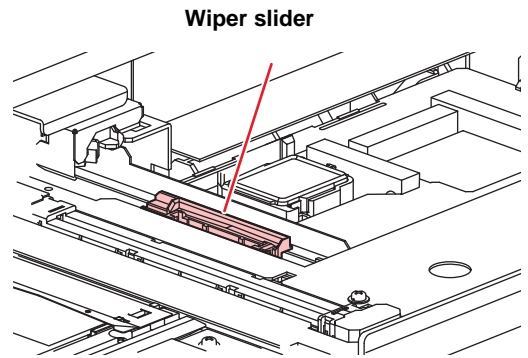
3 Remove the wiper.

- Pull out the wiper by holding the lugs at both ends.



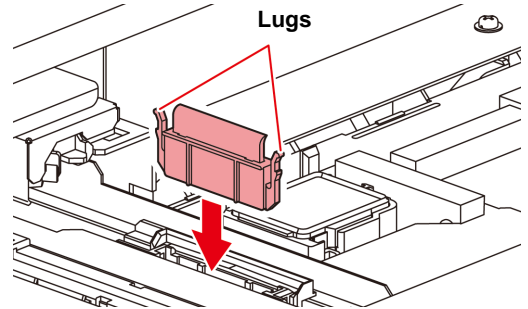
4 Clean the wiper slider.

- Use a cleaning stick moistened with maintenance liquid to wipe off any adhering ink or dust. Wipe off the maintenance liquid. Make sure none remains.



5 Insert a new wiper.

- Holding the wiper by the lugs at both ends, push it in.



6 Press the [ENTER] key.

- After initialization, the machine returns to local mode.

Replacing exhaust box filters

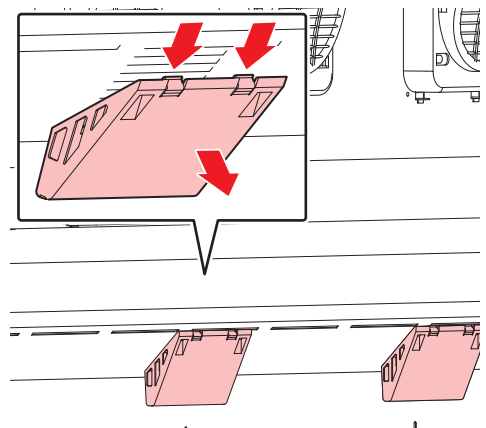
Check the exhaust fan filter condition. Replace if very dirty.



- Replace the very dirty exhaust fan box with new one.

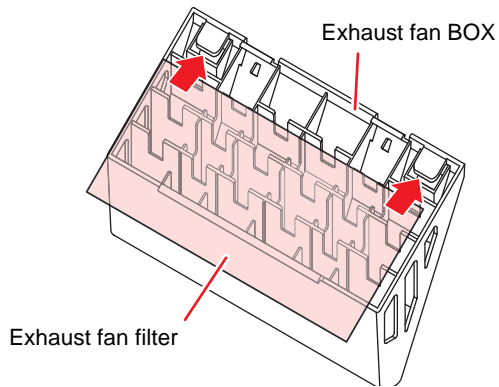
1 Remove the exhaust fan box.

- Push the tabs at the front to remove the exhaust fan box.



2 Attach a new exhaust fan filter to the exhaust fan box.

- Insert the exhaust fan filter into the space under the tabs of the exhaust fan box.

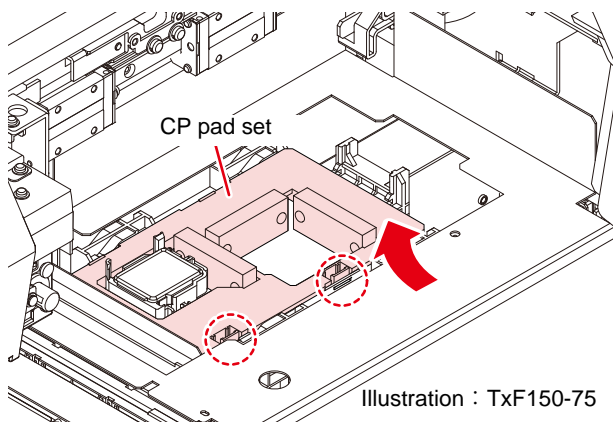


- 3 Attach the exhaust box in its original position.**
- Engage the tabs at the rear of the exhaust box onto the machine, and then push in the front side.

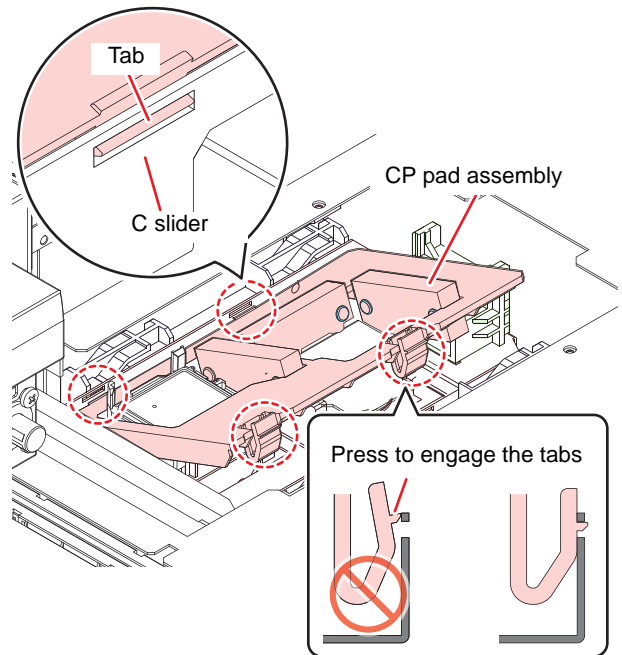
Replacing the CP pad set

If the CP pad set is very dirty or if ink drips onto the media, replace with a new cap absorber.

- 1 With the screen in local mode, select [MENU] > [MAINTENANCE], and then press the [ENTER] key.**
 - The Maintenance menu is displayed.
- 2 Select [STATION MAINT.] > [CARRIAGE OUT] > [STATION MAINT.], and then press the [ENTER] key.**
 - The carriage moves over the platen.
- 3 Remove the CP pad set.**
 - Push up the two tabs at the front to remove the cap absorber.



- 4 Attach the new CP pad set.**
 - Push the tabs of the CP pad set into the slits at the rear of the C slider, then insert the tabs at the front.



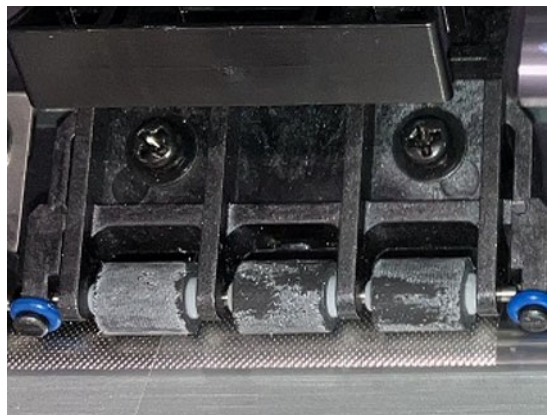
- 5 After replacement, manually return the wiper to the rear.**
- 6 Turning On the Power**
 - Check to confirm that the carriage returns to the station.

Replacing pinch rollers

After a certain period in use, the pinch rollers may be worn out, leaving roller marks on the printed results.

When the message "Replace pinch roller." is displayed in local mode, replace the pinch roller as soon as possible.

Similarly, replace the pinch roller with a new pinch roller if it is dirty or severely worn out.

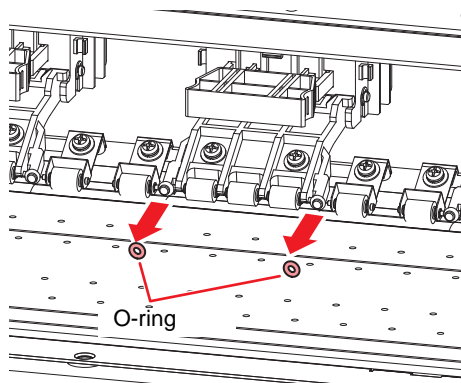
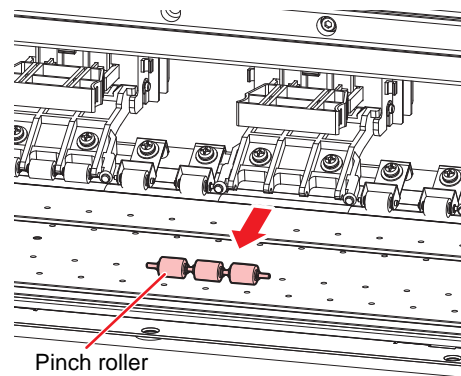


- Turn off the main power supply and unplug the power cable before carrying out maintenance.
- Do not use maintenance liquids, or alcohol, etc.

- 1 Raise the clamp lever.**

2**Remove the O-rings holding the pinch rollers.**

- The O-rings are small. Be careful to avoid dropping them into the product interior.

**3****Remove the pinch rollers.****4****Replace the O-rings and pinch rollers.****5****Attach the pinch rollers and secure them with the O-rings.****6****Turn the power on.****7****Select [MENU] > [MAINTENANCE] > [Pinch Roller Replacement] in local mode and press the [ENTER] key.**

- After performing it, the exchange message disappears.

Replacing fan filters

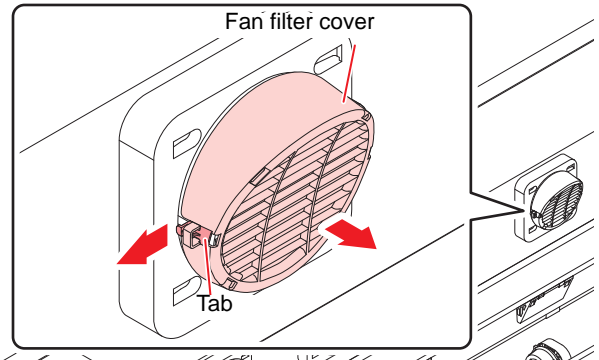
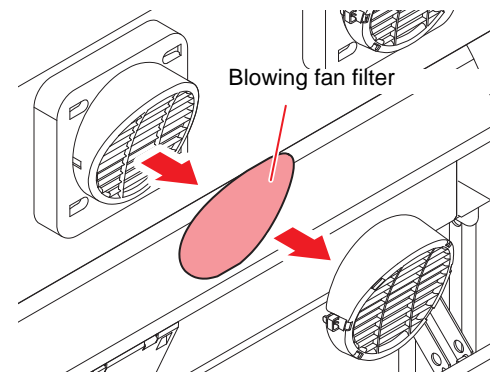
Replace the blowing fan filter if it is dirty.



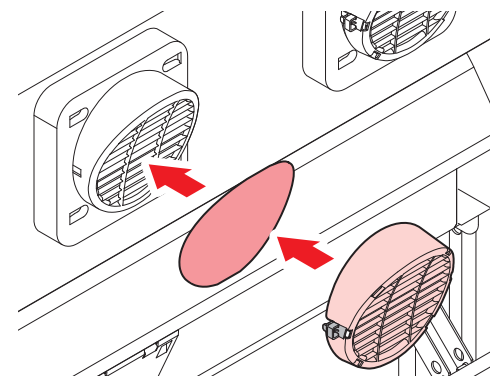
- Turn off the main power supply and unplug the power cable before carrying out maintenance.

1**Remove the fan filter cover.**

- Push the fan filter cover claw outward, and pull the cover to the front.

**2****Remove the filter.****3****Mount a new filter, along with the fan filter cover.**

- Push in the fan filter cover until the tab clicks.

**Replacing cutter blades**

Replace cutters when blades are chipped or blunt.



- Avoid touching the cutter blade. Failure to do so may result in injury.



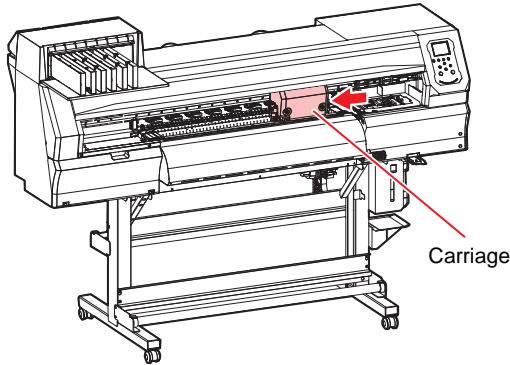
- Avoid storing this product in locations accessible to children.

1 With the screen in local mode, select [MENU] > [MAINTENANCE], and then press the [ENTER] key.

- The Maintenance menu is displayed.

2 Select [STATION MAINT.] > [CARRIAGE OUT] > [STATION MAINT.], and then press the [ENTER] key.

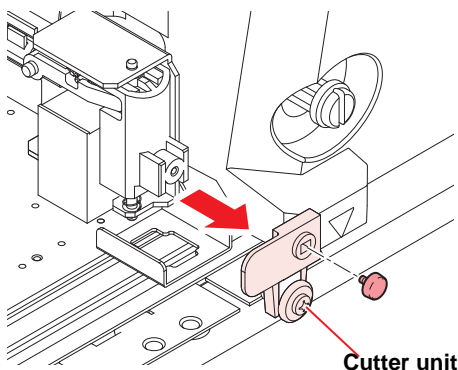
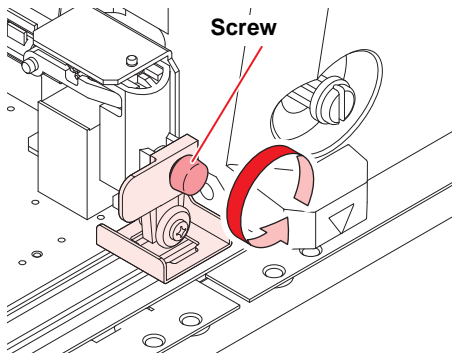
- The carriage moves over the platen.



- The carriage can be moved by hand. Move the carriage slowly to a position allowing easy replacement.

3 Replace the cutter.

- (1) Unscrew the cutter screw.
- (2) Remove the cutter.
- (3) Mount a new cutter.
- (4) Tighten the screw to clamp the cutter.



4 Press the [ENTER] key.

Waste Ink Tank

Ink used during head cleaning and other processes is collected in the waste ink tank at the lower right of the machine.

The machine keeps track of the waste ink level. A "Check Waste Ink Tank" message appears when the preset level is reached. **Use this a guide for replacing the waste ink tank.**



- The message is displayed when it reaches 80% (1.6L) of the 2L tank.

In case of messages to check waste ink

Confirmation message in local mode

1 Check Waste Ink is displayed.

2 Check the waste ink tank.

- If there is an error with the actual amount, press [▲]/[▼] to correct.
- Correct to less than 80% and press the [ENTER] key to clear the message.
- If there is no discrepancy, replace (dispose of) the waste ink tank referring to P.1-13 「Replacing the waste ink tank」.



- Check the level in the waste ink tank frequently. Continuing to use the machine without disposing of waste ink may result in waste ink overflowing from the tank.

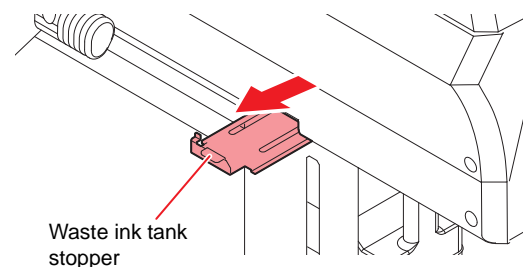
Replacing the waste ink tank

1 With the screen in local mode, select [MENU] > [MAINTENANCE], and then press the [ENTER] key.

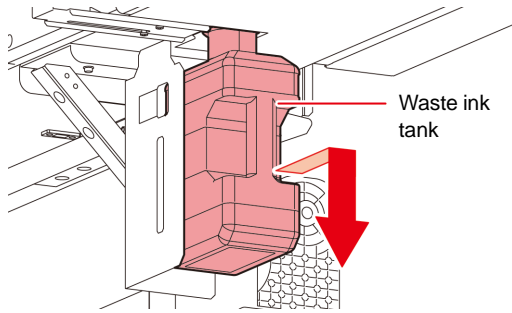
- The Maintenance menu is displayed.

2 Select [REPLACE WasteInkTank] and press the [ENTER] key.

3 Pull the waste ink tank stopper forward.



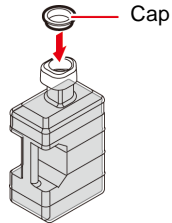
4 Hold the waste ink tank handle and pull it toward the front to remove it.



Waste ink tank

Important!

- Attach the cap to the removed waste ink tank, and use tape to prevent leakage of waste ink.



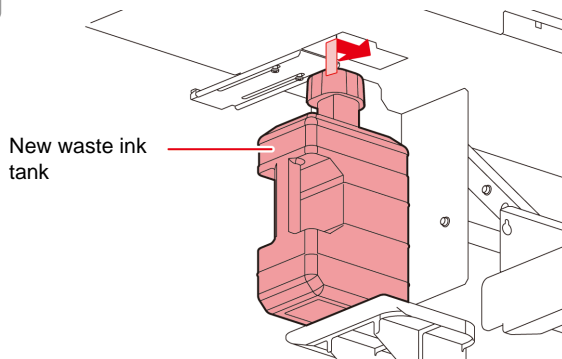
Cap



- Request an industrial waste disposal company to dispose of waste ink.

5

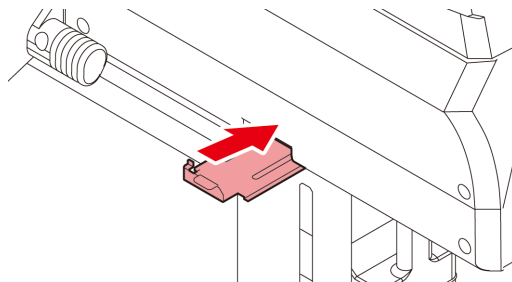
Mount a new waste ink tank.



New waste ink tank

6

Close waste ink tank stopper.



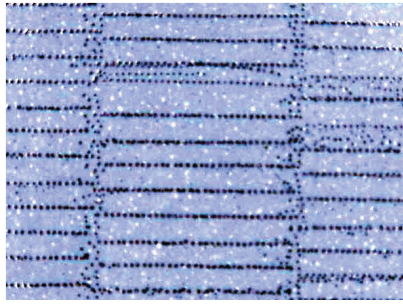
7

Press the [ENTER] key.

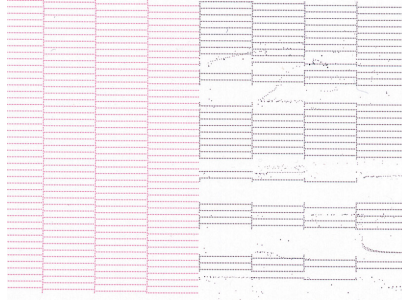
- The waste ink level will be reset.

Examples of Printing Issues

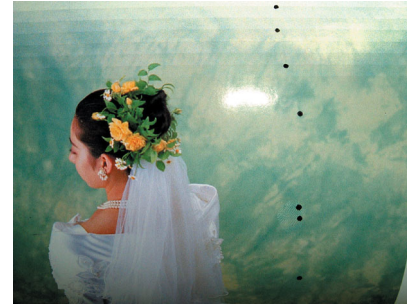
The following are typical examples of head (nozzle) ejection failure caused by dust or other factors that affect printing. To avoid using the nozzles in this state, check the nozzles regularly before and during printing. Nozzle status can be checked by using the machine's test printing function.



1. Nozzle deflection



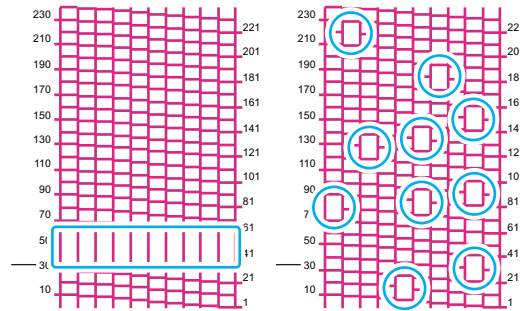
2. Nozzle clogging



3. Ink dripping



4. Mist



5. Mixing with air



- If condensation occurs on the head surface, a dispensing failure may occur.
If condensation occurs, try the following.
 1. Raise the room temperature.
 2. Lower the heater temperature.
 3. Turn on the top blower.
 4. Reduce the ink density.



Recovering from nozzle ejection failure

If the machine is idle over an extended period, or under certain ambient temperatures, discharging from nozzles may become unstable. The following nozzle recovery is available.

For symptoms in figures 1–4 above

1. Routine maintenance

- Clean the areas described in this manual.

2. Perform head cleaning (normal/hard)

- If the nozzle dropout does not recover after repeating the normal cleaning several times, perform the hard cleaning.

➔ Check results of test printing

▼ If this does not alleviate nozzle clogging or other issues

3. Perform an ink filling (normal or hard)

- If it does not recover with cleaning, perform normal or hard of ink filling.

➔ Check results of test printing

▼ If this does not alleviate nozzle clogging or other issues

4. Wash the head nozzles

- Perform head nozzle washing. Set the leaving time for head nozzle immersion in maintenance liquid to one minute.

➔ Check results of test printing

▼ If this does not alleviate nozzle clogging or other issues

5. Wash the head nozzles again

- Set the leaving time for head nozzle immersion in maintenance liquid to 10 minutes.

➔ Check results of test printing



- If these steps do not alleviate nozzle clogging, contact your dealer, or our sales office or call center.

Recovering from frequent nozzle dropout and nozzle ejection failures of white

1. Routine maintenance

- Clean the areas described in this manual.

2. Perform head cleaning (normal/hard)

- If the nozzle dropout does not recover after repeating the normal cleaning several times, perform the hard cleaning.

➔ Check results of test printing

▼ If this does not alleviate nozzle clogging or other issues

3. Perform white maintenance

- Perform white maintenance if cleaning does not recover.

➔ Check results of test printing

▼ If this does not alleviate nozzle clogging or other issues

4. Change machine settings

- Change [Circulation Lv.] to [OFF] in the machine settings.

➔ Check results of test printing

▼ If ejection failures (ink drips) occurs

5. Change machine settings

- Change [Circulation Lv.] to [Lv.1] or [Lv.2] in the machine settings.

➔ Check results of test printing



You can also download the latest manual from our website.
Unauthorized reproduction of any portion of this document is strictly prohibited.